

CPD15Z—CPD50Z

ELECTRIC FORKLIFTS

INTRODUCTION:

◎Z series electric forklift trucks, covering a wide range of tonnages from 1.5t to 5t, can meet your needs of efficiency priority, and pursue high lifting speed, high traveling speed, large-capacity batteries, excellent ergonomics, as well as ease of operation and safety.



ADVANTAGES:

Safer operations

- ◎With regenerative braking, it can prevent slope sliding, avoid accidents and ensure driving safety.
- ◎The whole vehicle is equipped with LED lights, providing better and safer vision for night operation.
- ◎Fuel truck body and box frame structure provide better torsional, bending and vibration resistant effects.
- ◎Decades of verification, annual output of hundreds of thousands of hydraulic parts, gearboxes and other mature fuel truck part sets.
- ◎Cast-in-one tapered roller steering axle with optional turn reduction for durability and safety



Maximum Travel Speed,
laden: 15Km/h

- ◎High-power AC motor, IP65 or above controller (IP65+ controller)
- ◎Optionally equipped with OPS driver detection system
- ◎Optional light warning system for easy confirmation of safe driving area.

Superior Performance

- ◎From universal to high performance, the driving speed can reach up to 20km/h (Optional).
- ◎Batteries of various specifications (lead-acid/lithium battery) can be selected to meet different working conditions.
- ◎High ground clearance, meeting outdoor working conditions of different bumpy roads.
- ◎Optionally equipped with low temperature heating system to realize the operation of lithium electric forklift at -25°C.
- ◎The heat dissipation system design of battery, controller and motor, as well as the high temperature automatic protection system, realize the operation of lithium forklift under high temperature conditions(55 °C).

Ergonomic design

- ◎Both the steering column and seat can be adjusted easily, every operator can find the best driving position.
- ◎Full opened battery cover is easy for battery service and changing.
- ◎High-end multi-functional LED Dashboard offers a clear view of operating parameters at any angle and any time.
- ◎No daily maintenance, saving a lot of manpower and material resources, greatly reducing the cost of use.



Maximum Gradeability,
laden: 20%



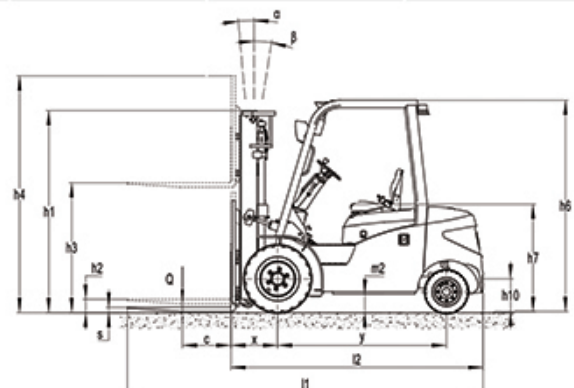
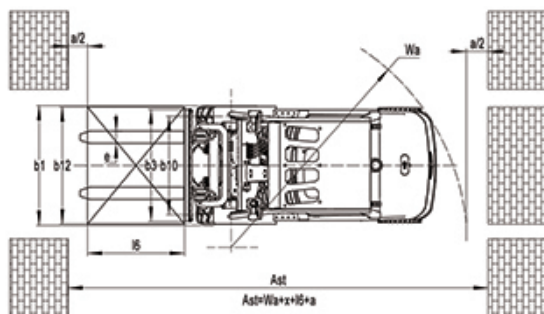
Lifting speed, laden:
310mm/s



Lifting speed, unladen:
430mm/s



CHARACTERISTICS		UNIT	CPD15Z	CPD18Z	CPD20Z
MODEL			CPD15Z	CPD18Z	CPD20Z
DRIVING MODE			seated	seated	seated
RATED CAPACITY	Q	kg	1500	1800	2000
LOAD CENTER DISTANCE	H5	mm	500	500	500
POWER MODE			lithium battery	lithium battery	lithium battery
WHEELBASE	A2	mm	1450	1450	1450
TYRE					
TYRE TYPE			Pneumatic	Pneumatic	Pneumatic
WHEELS NUMBER(FRONT/REAR)			2/2	2/2	2/2
FRONT TRACK		mm	890	890	890
REAR TRACK	W3	mm	920	920	920
TYRE(FRONT)	W2		6.50-10	7.00-12	7.00-12
TYRE(REAR)			5.00-8	6.00-9	6.00-9
SIZE					
FRONT OVERHANG	A1	mm	430	430	430
TILT OF THE MAST,FRONT/REAR	α/β	°	6/12	6/12	6/12
HEIGHT,MAST RETRACTION	H	mm	1995	1995	1995
FREE LIFT HEIGHT		mm	70	70	70
OVERALL MAXIMUM LIFT HEIGHT	H1	mm	3000	3000	3000
HEIGHT,MAST EXTENDED	H2	mm	4030	4030	4030
OVERHEAD GUARD HEIGHT	H3	mm	2085	2095	2095
FORK SIZE(LXWXT)	A3*B3*H4	mm	35*100*920	35*100*920	40*100*1070
TRUCK BODY LENGTH(FORK EXCLUDED)	L'	mm	2277	2277	2277
TRUCK BODY WIDTH	B	mm	1085	1085	1085
TURNING RADIUS	R	mm	2000	2000	2000
GROUBD CLEARANCE UNDER MAST		mm	/	/	/
GROUND CLEARANCE AT CENTER OF WHEELBASE(LADEN)		mm	110	110	110
MINIMUM RIGHT-ANGLE CHANNEL WIDTH		mm	1770	2050	2050
WIDTH OF AISLE RIGHT-ANGLE STACKING (PALLET1000X1000MM CLEARANCE 200MM)		mm	/	/	/
WIDTH OF AISLE RIGHT-ANGLE STACKING (PALLET1200X1200MM CLEARANCE 200MM)		mm	/	/	/
PERFORMANCE					
TRAVEL SPEED,LADEN/UNLADEN		km/h	12/15	12/15	12/15
LIFTING SPEED,LADEN/UNLADEN		mm/s	280/320	280/320	280/320
LOWERING SPEED,LADEN/UNLADEN		mm/s	400/350	400/350	400/350
MAXIMUM NEGONIABLE GRADIENT,LADEN/ UNLADEN		%	15/15	15/15	15/15
WEIGHT					
SERVICE MASS(WITH BATTERY)		kg	2650	2800	2900
BATTERY VOLTAGE /NOMINAL CAPACITY		V/Ah	48V350AH	48V350AH	48V350AH
BATTERY WEIGHT		kg	134	190	190
ELECTRICAL CONFIGURATION					
DRIVE MOTOR POWER-60 MINUTES		kW	6.5	6.5	6.5
LIFT MOTOR POWER-15 MINUTES		kW	6.5	6.5	6.5
DRIVE MOTOR CONTROLLING MODE			MOSFET/PMSM	MOSFET/PMSM	MOSFET/PMSM
LIFTING MOTOR CONTROLLING MODE			MOSFET/PMSM	MOSFET/PMSM	MOSFET/PMSM
SERVICE BRAKE/PARKING BRAKE			Hydraulic/Mechanical	Hydraulic/Mechanical	Hydraulic/Mechanical



CHARACTERISTICS	UNIT		CPD30Z	CPD35Z	CPD40Z	CPD50Z
MODEL			CPD30Z	CPD35Z	CPD40Z	CPD50Z
DRIVING MODE			seated	seated	seated	seated
RATED CAPACITY	Q	kg	3000	3500	4000	5000
LOAD CENTER DISTANCE	H5	mm	500	500	500	500
POWER MODE			lithium battery	lithium battery	lithium battery	lithium battery
WHEELBASE	A2	mm	1775	1775	1900	2150
TYRE						
TYRE TYPE			Pneumatic	Pneumatic	Pneumatic	Pneumatic
WHEELS NUMBER(FRONT/REAR)			2/2	2/2	2/2	2/2
FRONT TRACK		mm	1000	1000	1060	1180
REAR TRACK	B1	mm	970	970	970	1190
TYRE(FRONT)	B2		28*9-15	28*9-15	250-10	300-15
TYRE(REAR)			6.50-10	6.50-10	6.50-10	7.00-12
SIZE						
FRONT OVERHANG	A1	mm	465	465	465	585
TILT OF THE MAST,FRONT/REAR	α/β	°	6/12	6/12	6/12	6/12
HEIGHT,MAST RETRACTION	H	mm	2110	2110	2120	2330
FREE LIFT HEIGHT		mm	80	80	80	150
OVERALL MAXIMUM LIFT HEIGHT	H1	mm	3000	3000	3000	3000
HEIGHT,MAST EXTENDED	H2	mm	4270	4270	4280	4265
OVERHEAD GUARD HEIGHT	H3	mm	2110	2110	2120	2330
FORK SIZE(LXWXT)	A3*B3*H4	mm	1100/244	1100/244	1100/244	
TRUCK BODY LENGTH(FORK EXCLUDED)	L'					
TRUCK BODY WIDTH	B	mm	45*122*1220	45*122*1220	50*122*1220	55*150*1220
TURNING RADIUS	R	mm	2750	2780	2905	3130
GROUDB CLEARANCE UNDER MAST		mm	1230	1230	1230	1400
GROUND CLEARANCE AT CENTER OF WHEELBASE(LADEN)		mm	2530	2550	2670	3000
MINIMUM RIGHT-ANGLE CHANNEL WIDTH		mm	140	140	150	170
WIDTH OF AISLE RIGHT-ANGLE STACKING (PALLET1000X1000MM CLEARANCE 200MM)		mm	2110	2110	2320	2750
WIDTH OF AISLE RIGHT-ANGLE STACKING (PALLET1200X1200MM CLEARANCE 200MM)		mm	4150	4170	4370	
PERFORMANCE						
TRAVEL SPEED,LADEN/UNLADEN		mm	4350	4370	4570	
LIFTING SPEED,LADEN/UNLADEN		km/h	12/15	12/15	12/15	12/15
LOWERING SPEED,LADEN/UNLADEN		mm/s	290/330	290/330	280/320	280/320
MAXIMUM NEGONIABLE GRADIENT,LADEN/ UNLADEN		mm/s	400/350	400/350	400/350	400/350
WEIGHT		%	15/20	15/20	15/20	13/15
SERVICE MASS(WITH BATTERY)						
BATTERY VOLTAGE /NOMINAL CAPACITY						
BATTERY WEIGHT		kg	4320	4580	4900	6800
ELECTRICAL CONFIGURATION		V/Ah	76.8V270AH	76.8V270AH	76.8V/410Ah	153.6V/280AH
DRIVE MOTOR POWER-60 MINUTES		kg	300	300	365	500
LIFT MOTOR POWER-15 MINUTES						
DRIVE MOTOR CONTROLLING MODE		kW	10	10	16.5	18.5
LIFTING MOTOR CONTROLLING MODE		kW	10	10	16.5	18.5
SERVICE BRAKE/PARKING BRAKE			MOSFET/PMSM MOSFET/PMSM	MOSFET/AC MOSFET/AC	MOSFET/AC MOSFET/AC	MOSFET/AC MOSFET/AC
			Hydraulic/Mechanical	Hydraulic/Mechanical	Hydraulic/Mechanical	Hydraulic/Mechanical

