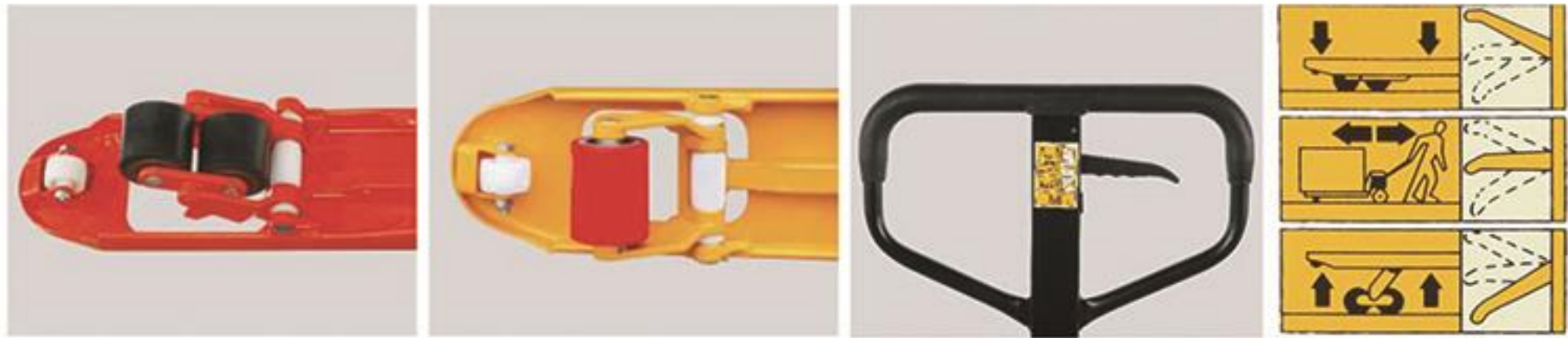


AC20—AC30 HAND PALLET JACKS

INTRODUCTION:

◎TOP CLASS RANGE OF PALLET TRUCKS WITH EXCELLENTDESIGNS.

PROFESSIONAL AND IDEAL STORAGE AID FOR ALL VARIETY OFMANUAL TRANSPORT TASKS OVER SHORT DISTANCES IN STORESAND WAREHOUSES AS WELL AS FACTORY PLANTS.



ADVANTAGES:

◎POWERFUL PERFORMANCE AND FLEXIBLE OPERATION

1.USING HARD STEEL, WITH STRONG STRENGTH, NO DEFORMATION OF LONG-TERM HEAVY GOODS, AND LONG SERVICE LIFE.

2.HIGH-QUALITY HYDRAULIC PUMPS, SOME CORE COMPONENTS ARE IMPORTED FROM GERMANY.

3.THE PRESSURE ROLLER AND SPRING LID ARE ENLARGED, SO IT IS EFFORTLESS TO CARRY HEAVY OBJECTS.

4.THICKENED STEERING AXLE FOR FLEXIBLE STEERING.

5.EACH MOVABLE JOINT IS EQUIPPED WITH GREASE FITTING, WHICH CAN BE LUBRICATED.

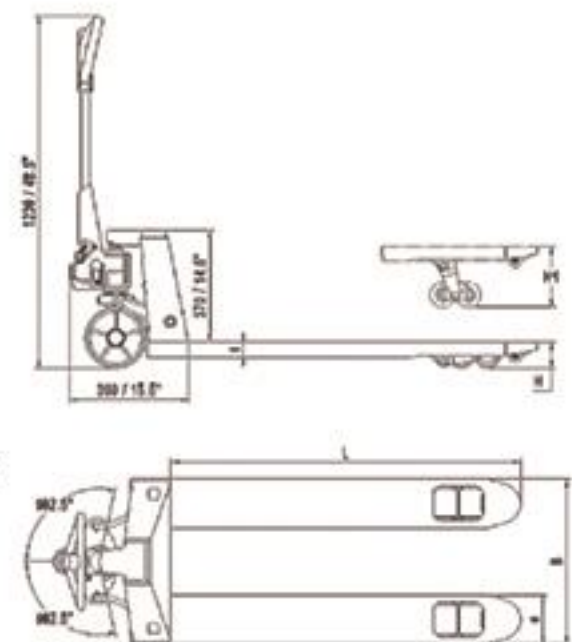
6.CONFIGURATION OF CLIMBING WHEELS, ALLOWING EASY ACCESS TO THE PALLET.

◎HIGH STANDARD WORKMANSHIP AND AESTHETIC APPEARANCE

1.PAINT SURFACE USING HIGH-TEMPERATURE BAKING PAINT, WHICH IS SMOOTH AND RUSTPROOF.

2.ROBOTIC WELDING PROCESS FOR THE WHOLE VEHICLE.

3.STRUCTURAL PARTS WITH FINE WORKMANSHIP AND FLAT SURFACE.



Top class range of pallet trucks with excellent designs.

Professional and ideal storage aid for all variety of manual transport tasks over short distances in stores and warehouse as well as factory plants.

Reliable, sturdy, torsion-resistant due to its extremely strong high quality steel profile Germany standard WAGNER painting system ensures best powder coating and painting quality.

All pivots points are greased ensures excellent maneuverability with effortless steering The chromed bearing bushes and joints ensure quiet running properties and particularly long service life.



ITEM/TYPE		AC20		AC25		AC30	
CAPACITY Q	KG	2000		2500		3000	
MIN. FORK HEIGHT H	MM	85	75	85	75	85	75
MAX. FORK HEIGHT H	MM	200	190	200	190	200	190
STEERING WHEEL	MM	Ø200×50	Ø180×50	Ø200×50	Ø180×50	Ø200×50	Ø180×50
LOAD ROLLER SINGLE	MM	Ø80×93	Ø74×93	Ø80×93	Ø74×93	Ø80×93	Ø74×93
LOAD ROLLER TANDEM	MM	Ø80×70	Ø74×70	Ø80×70	Ø74×70	Ø80×70	Ø74×70
SIZE OF FORK E*S	MM	160×50				160×60	
WIDTH OVERALL FORKS B	MM	450/520/540/685					
FORK LENGTH L	MM	800/900/1000/1100/1150/1220					