

CBD12N2—CBD20N2

ELECTRIC PALLET JACKS

PRODUCT DESCRIPTION:

◎The pallet trucks are equipped with maintenance-free Li-ion batteries, optional capacities for various applications are available, with its fast charging and opportunity charging features (charge whenever you want and as long as time allows) the operation time can be extended significantly. All pallet trucks batteries are located in battery compartments securely, any possibility of movement is excluded, therefore the reliability of power supply is guaranteed.

◎Light weight of the battery(max. 8kg) and the easiest way of fast battery replacement allows even a female operator to double the working time within seconds.

ADVANTAGES:

- ◎Perfect for light-duty applications.
- ◎Compact & sharp design
- ◎Light service weight
- ◎Fast-charging Li-ion batteries.
- ◎Ideal for use on retail stores, lorries.
- ◎The operating handle is safe and reliable, with complete functions and ergonomics.
- ◎Comprehensive work: about 5 hours.
- ◎The battery is 24V/20AH, suitable for long-term working conditions.

◎All Li-ion batteries are equipped with on-board Battery Management System (BMS), which provides mandatory control of all important parameters of the battery during charging and operation. With this control, the safety of Li-ion battery during the whole life-cycle is guaranteed. The Li-ion batteries are certified according to international safety transportation (by sea and by air) and operation standards. The BMS communicates with control system of the truck via CAN, the support of the CAN protocols allows to monitor the condition of the battery and make its diagnosis with help of special software which is available for our partners.

◎The trucks are equipped with Curtis controllers, CAN-bus technology makes the diagnostic and troubleshooting easier. The use of proved and certified components helps to ensure the conformity to international safety standards with all the supporting documents available as required by law.



CBD12N2

● 1.2T Capacity **Li-ion**

- Perfect for light-duty applications.
- Compact & skeleton design
- Fast-charging Li-ion batteries.
- Ideal for occasional operations
- Easy-battery replacement
- High maneuverability

DC 24V



CBD15N2

● 1.5T Capacity **Li-ion**

- Perfect for light-duty applications.
- Compact & sharp design
- Light service weight
- Fast-charging Li-ion batteries.
- Ideal for use on retail stores, lorries.
- Easy-battery replacement

DC 24V



CBD20N2

● 2.0T Capacity **AGM**

- Economic solution for heavy loads move
- Simple but robust skeleton design
- Maintenance-free Lead-acid Battery Pack
- Ideal for industrial applications
- Fast battery replacement
- Powerful drive & pump system

BLDC 48V



CBD20N2

● 2.0T Capacity **Li-ion**

- Ultimate solution for heavy loads move
- Compact & robust design
- Fast-charging Li-ion batteries
- Easy-battery replacement
- Great grade-ability performance
- Powerful drive & pump system

BLDC 48V

Smart and Ergonomic Tillers

The Edge series trucks are configured with control tillers adopted to meet with application needs based on trucks designated performance.



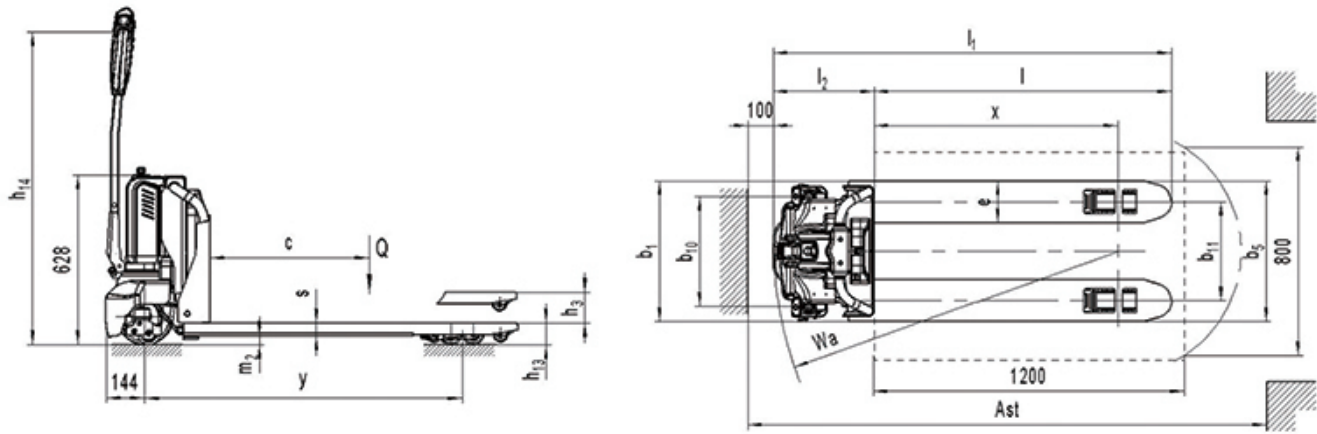
CBD12N2—CBD20N2

ELECTRIC PALLET JACKS

STANDARD CONFIGURATION & OPTIONS FOR EDGE FAMILY

STANDARD CONFIGURATION OR OPTIONS	CBD12N2	CBD15N2	CBD20N2	CBD20B2
Standard Battery	Li-ion 24V/15Ah	Li-ion 24V/20Ah	Li-ion 48V/20Ah	AGM 48V/20Ah
Li-ion Battery 24V/20Ah	O	S	—	—
Li-ion Battery 24V/30Ah	O	O	—	—
Li-ion Battery 24V/36Ah	O	O	—	—
AGM 2x12V/106Ah (5 Hr)	—	—	—	—
Standard Charger	24V / 5A	24V / 5A	48V / 9A	48V / 3A
Li-ion Charger 24V/5Ah	S	S	—	—
Li-ion Charger 24V/8Ah	with optional battery only	O	—	—
Li-ion Charger 24V/12Ah	with 36Ah battery only	with 36Ah battery only	—	—
Curtis controller	S	S	S	S
BMS	S	S	S	—
CAN-communication	S	S	S	S
Speed Reduction at Turning	O	O	S	S
Vertical drive/Pin wheel	S	S	S	S
Fast battery replacement	S	S	S	S
Entry Roller	S	S	S	S
Single Fork Roller	S	S	S	S
Tandem Fork Rollers	O	O	O	O
On-board charger	—	—	—	—
Stability Castors	O	O	S	S
High traction drive wheel tyre	O	O	—	—
Fork length 800/900/1000mm	O	O	O	O
Fork width 370/550/570mm	—	O	—	—
Load backrest(42/48/60")	—	O	O	—
Pin Code Access	O	S	S	O
RFID Access	O	O	S	O
LED Indicators on Tiller	S	—	—	S
LCD Display on Tiller	O	S	S	O

S=Standard O=Optional — =not available



1.2	Manufacturer's type designation		CBD12N2		CBD15N2		CBD15N2	
1.3	Drive		Battery		Battery		Battery	
1.4	Operator type		Pedestrian		Pedestrian		Pedestrian	
1.5	Load Capacity / rated load	Q (t)	1.2		1.5		2.0	
1.6	Load centre distance	c (mm)	600		600		600	
1.8	Load distance ,centre of drive axle to fork	x (mm)	942		947		951	
1.9	Wheelbase	y (mm)	1185		1185		1189	
2.1	Service weight	kg	124	129	123	126	149	153
2.2	Axle loading, laden front/rear	kg	355 / 972	425 / 908	623/1000	626/1000	621/1528	625/1528
2.3	Axle loading, unladen front/rear	kg	101 / 27	106 / 27	96/27	99/27	115/34	119/34
3.1	Tires		Polyurethane (PU)			Polyurethane (PU)		
3.2	Tire size, front	Øx w (mm)	Ø210×70			Ø210×70		
3.3	Tire size, rear	Øx w (mm)	Ø80×93(Ø80×70)			Ø80×93(Ø80×70)		
3.4	Additional wheels(dimensions)	Øx w (mm)	Ø- / 80×30			Ø80×30		
3.5	Wheels,number front/rear(x=driven wheels)		1x/ 2(1x/ 4) or 1x +2/ 2(1x +2/ 4)			1x/ 2(1x/ 4) or 1x +2/ 2(1x +2/ 4)		
3.6	Tread, front	b ₁₀ (mm)	-/430			430		
3.7	Tread, rear	b ₁₁ (mm)	380	525	380	525	380	525
4.4	Lift	h ₃ (mm)	115		115		115	
4.9	Height of tiller in drive position min./ max.	h ₁₄ (mm)	700 / 1160		700 / 1160		700 / 1160	
4.15	Height, lowered	h ₁₃ (mm)	80		80		80	
4.19	Overall length	l ₁ (mm)	1537		1530		1536	
4.20	Length to face of forks	l ₂ (mm)	387		380		386	
4.21	Overall width	b ₁ (mm)	540	685	540	685	540	685
4.22	Fork dimensions	s/e/l (mm)	48 / 160 / 1150			47 / 160 / 1150		
4.25	Width across forks	b ₅ (mm)	540	685	540	685	540	685
4.32	Ground clearance, centre of wheelbase	m ₂ (mm)	32		33		33	
4.34	Aisle width for pallets800X1200 lengthways (200mm safe distance)	Ast (mm)	2007		2000		2006	
4.35	Turning radius	Wa (mm)	1337		1330		1336	
5.1	Travel speed, laden/ unladen	km/h	4.6/ 4.8		4.6/ 4.8		4.8/ 5.2	
5.2	Lift speed, laden/ unladen	m/s	0.031 / 0.037		0.020 / 0.025		0.017 / 0.022	
5.3	Lowering speed, laden/ unladen	m/s	0.069 / 0.051		0.05 / 0.04		0.05 / 0.03	
5.8	Max. gradeability, laden/ unladen	%	4 / 16		6 / 16		7 / 16	
5.10	Service brake		Electromagnetic			Electromagnetic		
6.1	Drive motor rating S2 60min	kW	0.65		0.65		0.75	
6.2	Lift motor rating at S3 10%	kW	0.50		0.50		0.8	
6.3	Battery acc. to DIN 43531/ 35/ 36 A, B, C, no		No		/		/	
6.4	Battery voltage, nominal capacity K5	V / Ah	24/15		24/20(24/30;24/36)		48/20	
6.5	Battery weight	kg	4.4		4.6		7.5	
6.6	Energy consumption acc. to VDI cycle	kWh/h	0.14		0.22		0.18	
8.1	Type of drive control		DC speed Control			DC speed Control		
8.4	Sound level at driver's ear acc. to EN 12053	dB(A)	<70			<70		