

CPC30Q—CPC40Q

ROUGH TERRAIN FORKLIFT

37



INTRODUCTION:

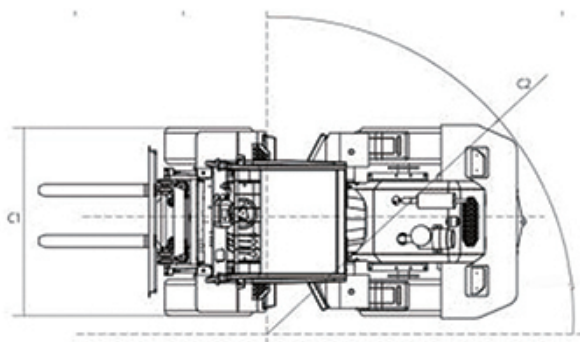
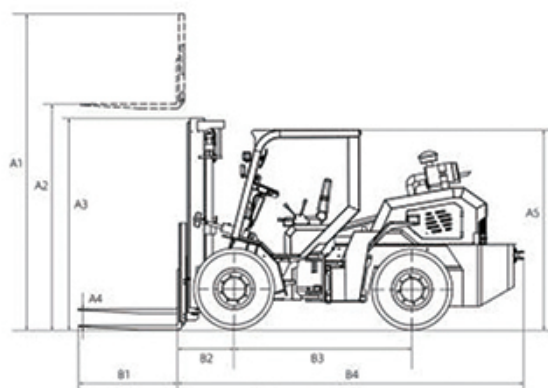
◎ADOPT A NEW DESIGN STYLE

BOLD REAR LEGS OF THE OVERHEAD GUARD TO ENSURE THE SAFETY OF THE DRIVER THE DESIGN ACCORDS WITH ERGONOMICS, THE DRIVING IS COMFORTABLE, THE FIELD OF VISION IS WIDE, THE OPERATION IS SENSITIVE

◎HYDRAULIC SYSTEM OF PRIORITY VALVE IS CONFIGURED TO EFFECTIVELY IMPROVE THE LIFTING SPEED

◎FOUR -WHEEL DRIVE, STRONG POWER, CAN BE SUITABLE FOR COMPLEX WORKING CONDITIONS OPERATIONS

◎GROUND CLEARANCE IS LARGE, HAS GOOD PASSABILITY, AND CAN CROSS THE FIELD OF OBSTACLES



GENERAL	1	MODEL		CPC30Q
	2	RATED LOAD CAPACITY	kg	3000
	3	LOADER CENTER	mm	500
DIMENSIONS	4	LIFTING HEIGHT	mm	3000
	5	FREE LIFTING HEIGHT	mm	135
	6	FORK SIZE LXWXT	mm	1070×122×45
	7	MAST TILTING ANGLE F/R		6/12
	8	LENGTH(WITHOUT FORK)	mm	3700
	9	OVERALL WIDTH	mm	1800
	10	MAST HIGHT AFTER MAST FALL	mm	2165
	11	LIFT HEIGHT	mm	4110
	12	OVERHEAD GUARD HEIGHT	mm	2170
	13	TURNING RADIUS	mm	4050
	14	FRONT /BACK OVERHANG	mm	610
	15	MIN.RIGHT ANGLE CHANNEL WIDTH	mm	3670
	16	WHEELBASE	mm	1920
	17	TRACK F RONT	mm	1500
	18	REAR	mm	1500
	19	GROUND CLEARANCE MAST	mm	230
PERFORMANCE	20	CAR CENTER	mm	300
	23	SPEED TRAVEL FULL LOAD	km/h	20
	24	NO LOAD	km/h	30
	25	LIFTING FULL LOAD	mm/s	320
	26	NO LOAD	mm/s	340
	27	LOWERING FULL LOAD	mm/s	320
	28	NO LOAD	mm/s	300
		29	MAX.DRAWBAR PULL FULL/NO LOAD	kg
30		MAX.GRADEABILITY FULL/NO LOAD	%	15/20
WEIGHT	31	TOTAL WEIGHT	kg	4430
POVER&TRANSMISSION	32	BATTERY VOLTAGE/CAPACITY	V/AH	24/60
	33	ENGINE MODEL		YUNNEI 42KW
	34	RATED POVER/SPEED	Kw/rpm	42/2400
	35	MAX.TORQUE/SPEED	N.m/rpm	160/1600-1800
	36	WORK PRESSURE	Mpa	17
	37	GEAR F/R		4/4
	38	TIRE		20.5/70-16

